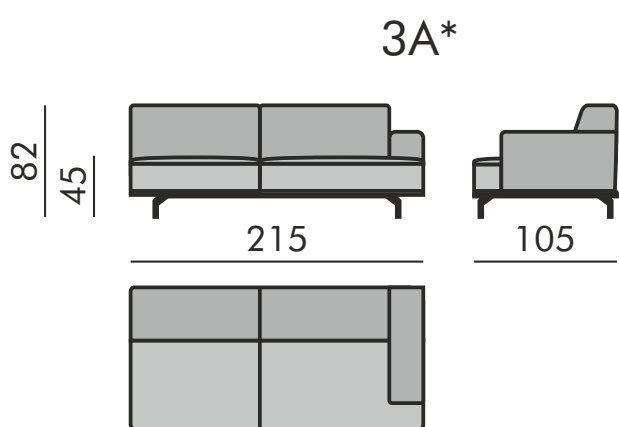
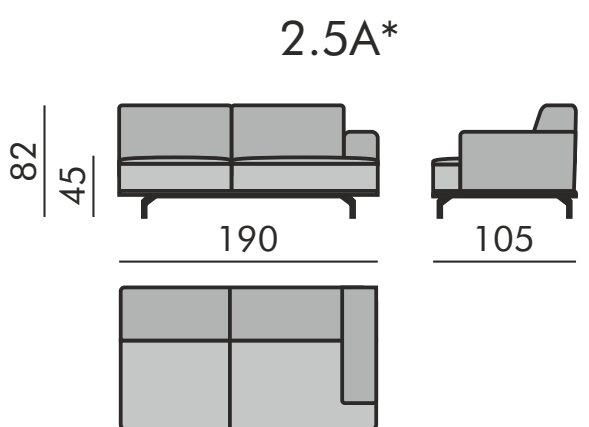
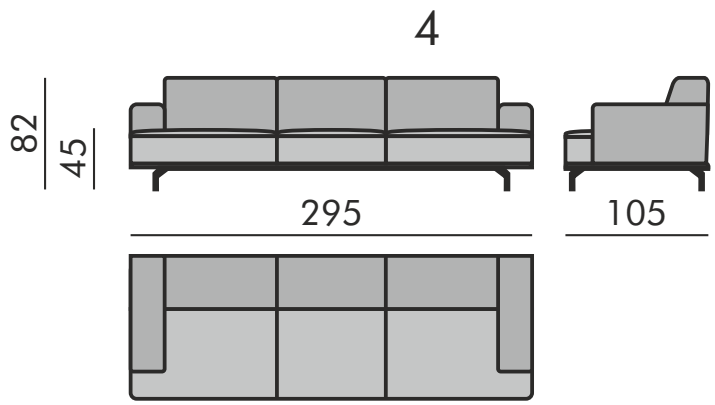
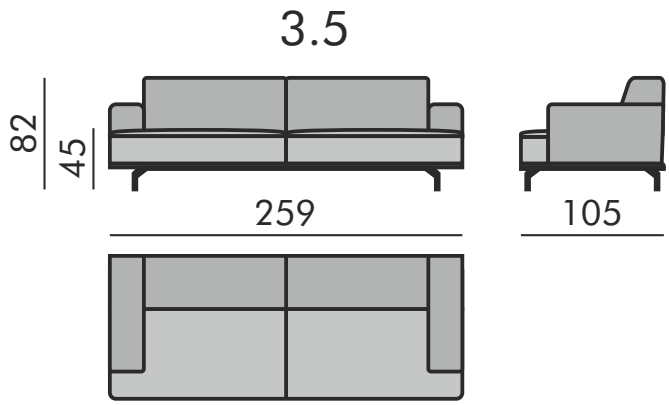
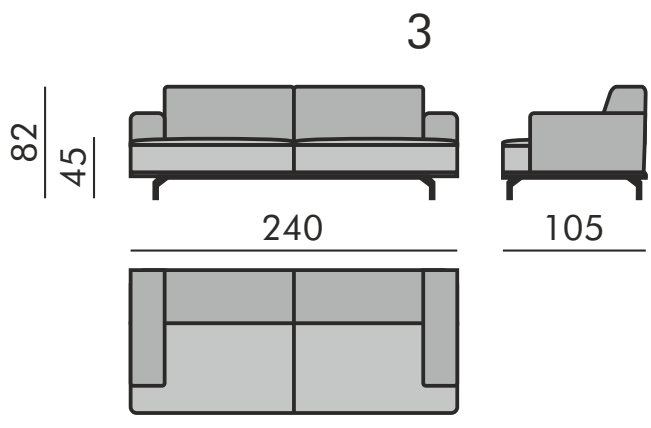
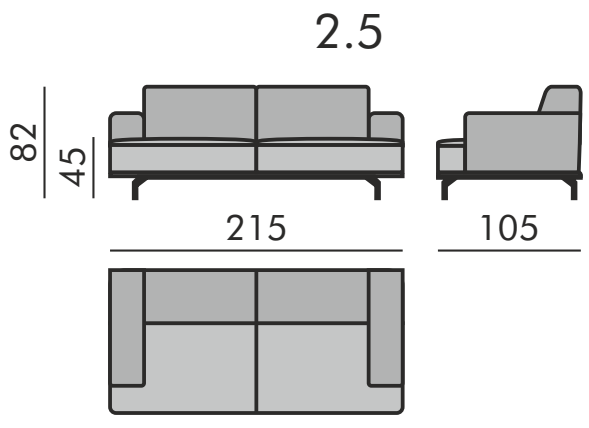
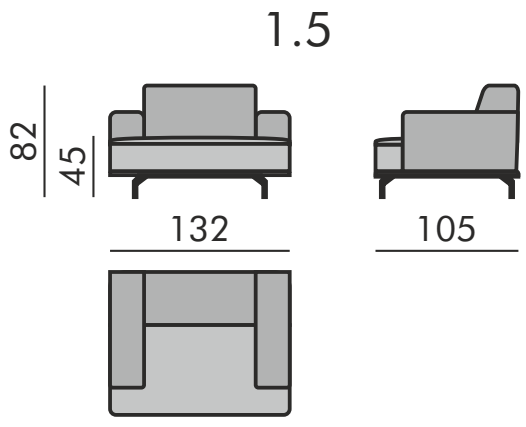


MODALTO RESERVES THE RIGHT TO CHANGE CONSTRUCTION OF PRODUCTS AND COMPONENTS USED DUE TO IMPROVING DURABILITY OF PRODUCT AND CUSTOMERS SATISFACTION WITHOUT ANY FURTHER NOTICE.
 EXPLICIT +/- 2CM TOLERANCE OF ALL AELEMENTS SIZES.



ARCHIE

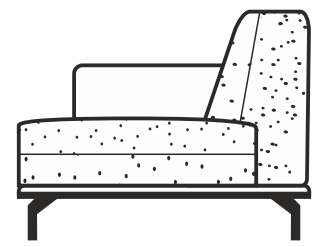


* CAN CHOOSE LEFT OR RIGHT SIDE OF THE ARMREST

- A. SEAT FILLING
- B. BACK FILLING
- C. FRAME SPRINGS/BELTS
- D. FRAME MATERIAL
- E. BACK MATERIAL
- F. UPHOLSTERY
- G. LEGS

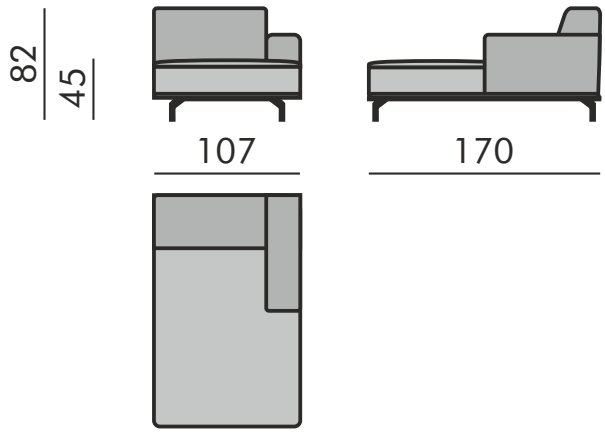
- A. POLYURETHANE FOAM T3030, POLYURETHANE FOAM T2316
- B. POLYURETHANE FOAM T3030, POLYURETHANE FOAM T3045
- C. SPRINGS
- D. SOLID BEECH WOOD
- E. WOOD BASED ELEMENTS (CHIPBOARD, FIBREBOARD) OF FRAME
- F. FABRIC AND/OR LEATHER

G. METAL LEGS
H: 15CM

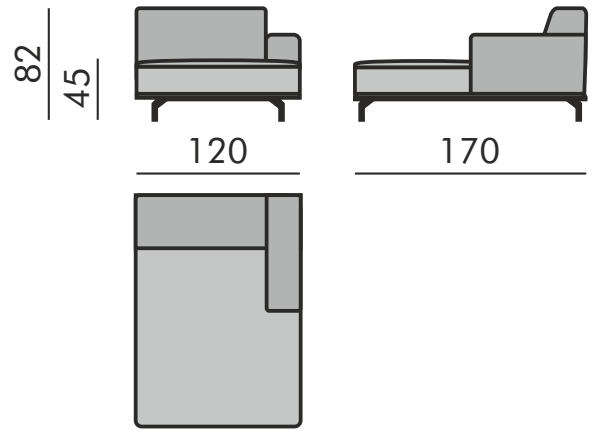


MODALTO RESERVES THE RIGHT TO CHANGE CONSTRUCTION OF PRODUCTS AND COMPONENTS USED DUE TO IMPROVING DURABILITY OF PRODUCT AND CUSTOMERS SATISFACTION WITHOUT ANY FURTHER NOTICE.
 EXPLICIT +/- 2CM TOLERANCE OF ALL AELEMENTS SIZES.

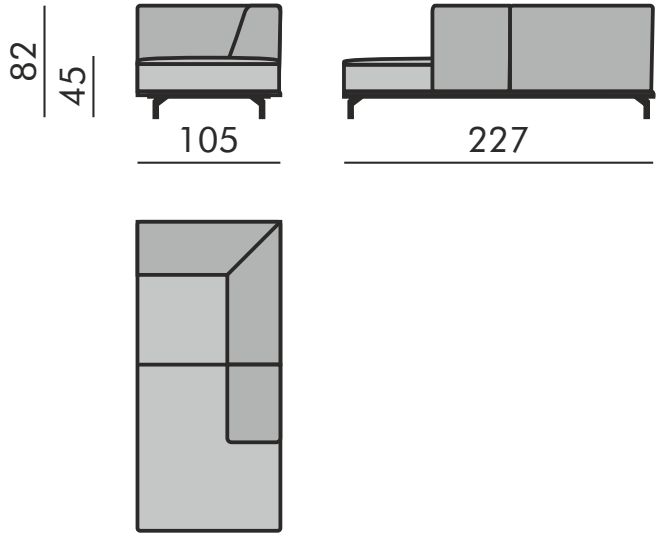
LCH1*



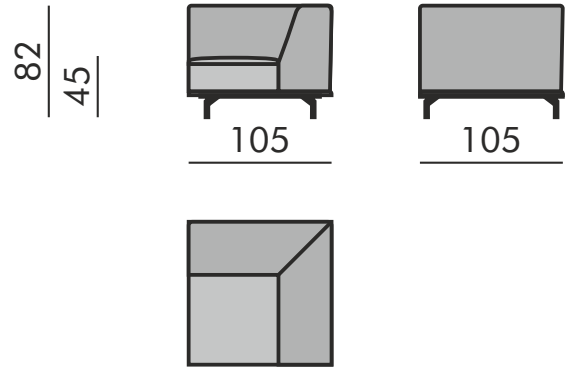
LCH2*



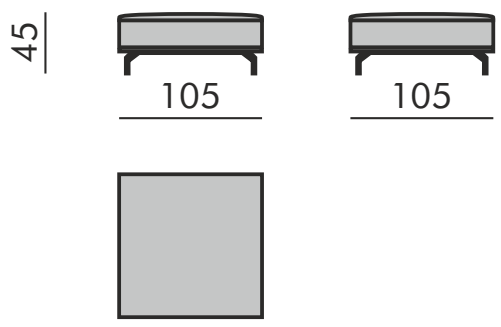
OTT*



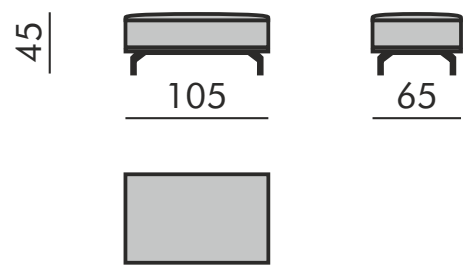
EK*



HO1



HO2



ARCHIE



* CAN CHOOSE LEFT OR RIGHT SIDE OF THE ARMREST

- A. SEAT FILLING
- B. BACK FILLING
- C. FRAME SPRINGS/BELTS
- D. FRAME MATERIAL
- E. BACK MATERIAL
- F. UPHOLSTERY
- G. LEGS

- A. POLYURETHANE FOAM T3030, POLYURETHANE FOAM T2316
- B. POLYURETHANE FOAM T3030, POLYURETHANE FOAM T3045
- C. SPRINGS
- D. SOLID BEECH WOOD
- E. WOOD BASED ELEMENTS (CHIPBOARD, FIBREBOARD) OF FRAME
- F. FABRIC AND/OR LEATHER

G. METAL LEGS
 H: 15CM

