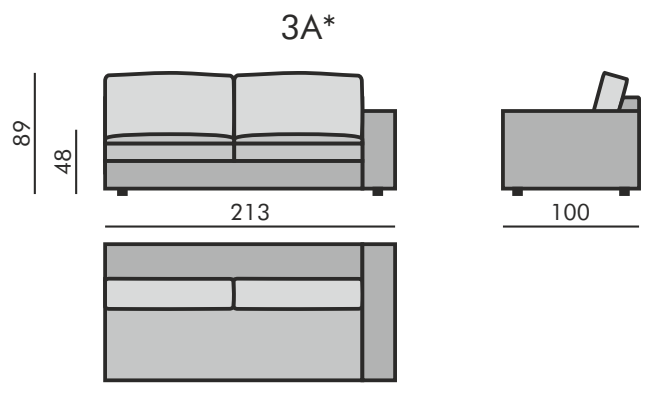
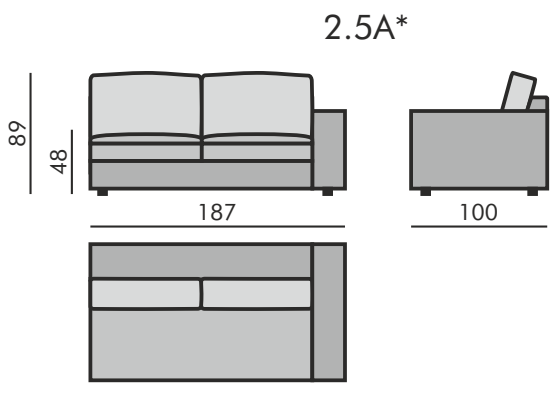
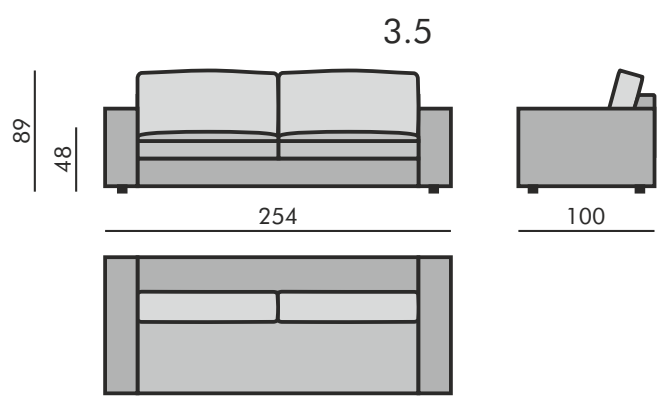
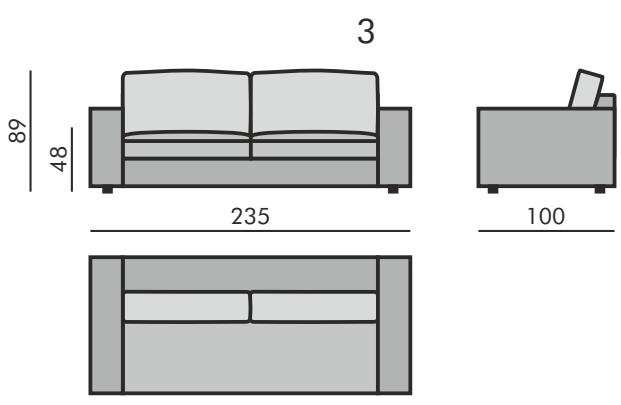
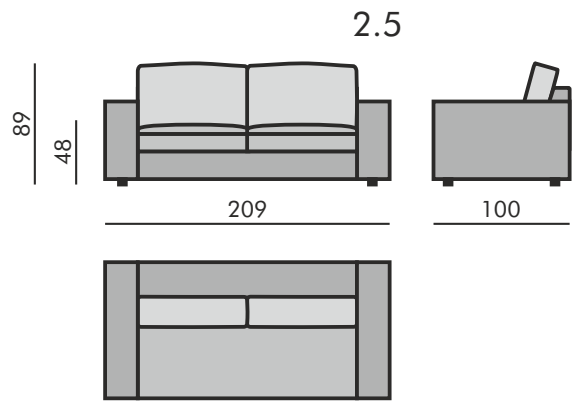
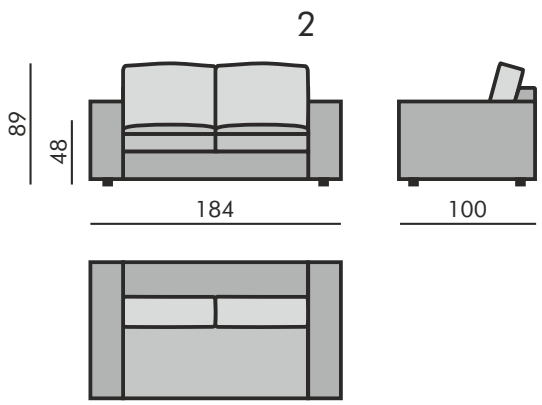
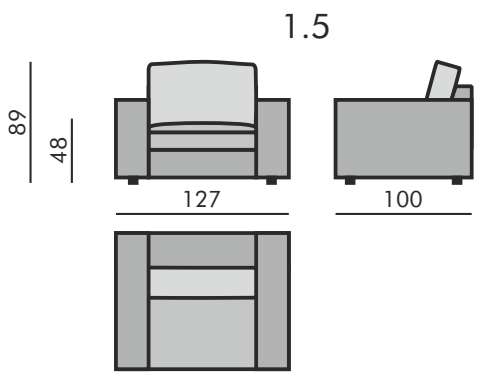


MODALTO RESERVES THE RIGHT TO CHANGE CONSTRUCTION OF PRODUCTS AND COMPONENTS USED DUE TO IMPROVING DURABILITY OF PRODUCT AND CUSTOMERS SATISFACTION WITHOUT ANY FURTHER NOTICE.
 EXPLICIT +/- 2CM TOLERANCE OF ALL AELEMENTS SIZES.

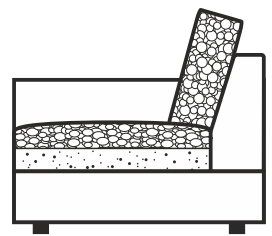


* CAN CHOOSE LEFT OR RIGHT SIDE OF THE ARMREST

- A. SEAT FILLING
- B. BACK FILLING
- C. FRAME SPRINGS/BELTS
- D. FRAME MATERIAL
- E. BACK MATERIAL
- F. UPHOLSTERY
- G. LEGS

- A. POLYURETHANE FOAM, SILICONE BALLS LUX MIXED WITHFOAM STICKS
- B. SILICONE BALLS LUX MIXED WITH FOAM STICKS
- C. SPRINGS
- D. SOLID BEECH WOOD
- E. WOOD BASED ELEMENTS (CHIPBOARD, FIBREBOARD) OF FRAME
- F. FABRIC AND LEATHER

- G. PLASTIC LEGS
- H: 4CM

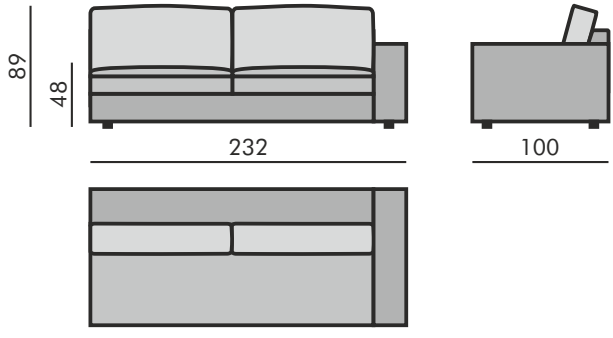


R O V E R

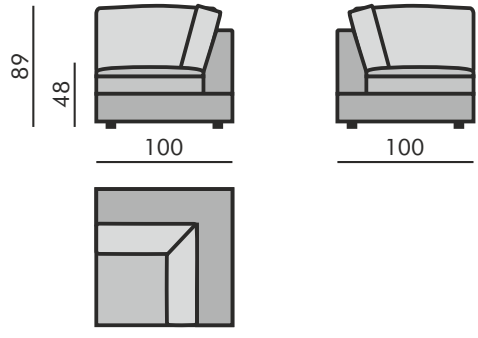


MODALTO RESERVES THE RIGHT TO CHANGE CONSTRUCTION OF PRODUCTS AND COMPONENTS USED DUE TO IMPROVING DURABILITY OF PRODUCT AND CUSTOMERS SATISFACTION WITHOUT ANY FURTHER NOTICE.
 EXPLICIT +/- 2CM TOLERANCE OF ALL AELEMENTS SIZES.

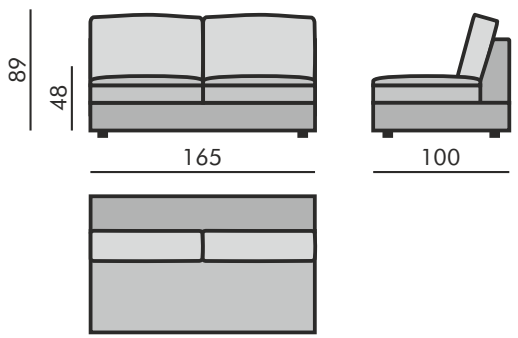
3.5A*



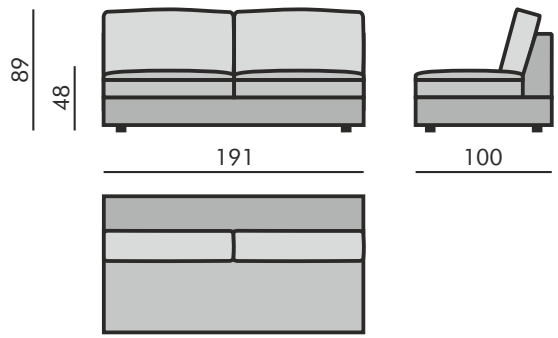
ECKE



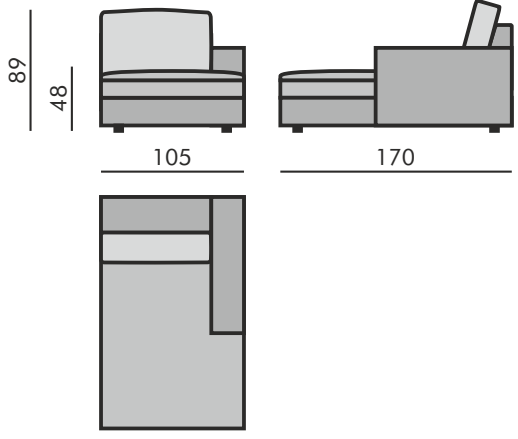
2.5OA



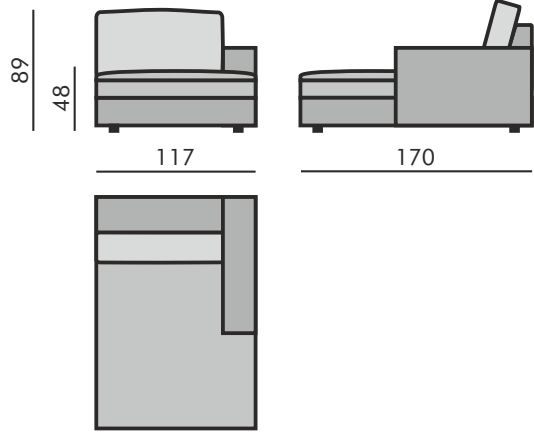
30A



LCH82.5*



LCH95*

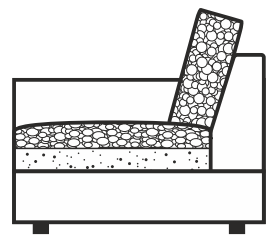


* CAN CHOOSE LEFT OR RIGHT SIDE OF THE ARMREST

- A. SEAT FILLING
- B. BACK FILLING
- C. FRAME SPRINGS/BELTS
- D. FRAME MATERIAL
- E. BACK MATERIAL
- F. UPHOLSTERY
- G. LEGS

- A. POLYURETHANE FOAM,
- B. SILICONE BALLS LUX MIXED WITHFOAM STICKS
- C. SPRINGS
- D. SOLID BEECH WOOD
- E. WOOD BASED ELEMENTS (CHIPBOARD, FIBREBOARD)
- F. FABRIC AND LEATHER

- G. PLASTIC LEGS
- H: 4CM

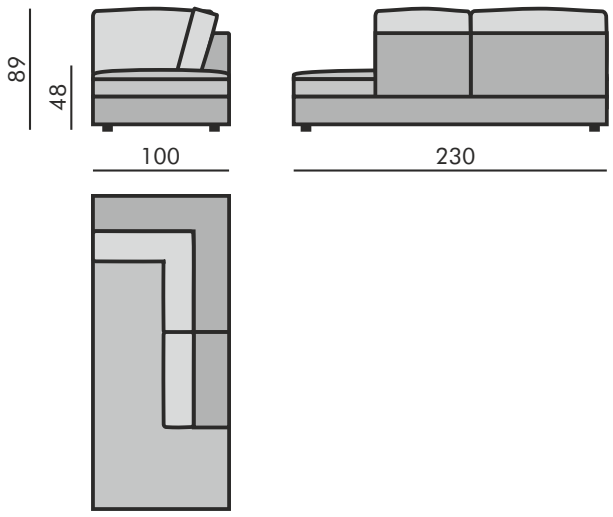


ROVER

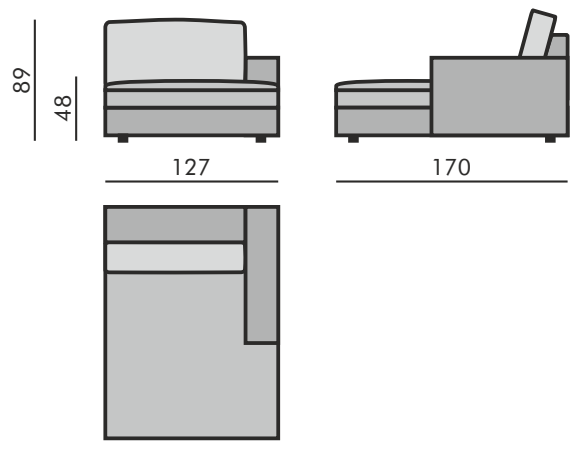


MODALTO RESERVES THE RIGHT TO CHANGE CONSTRUCTION OF PRODUCTS AND COMPONENTS USED DUE TO IMPROVING DURABILITY OF PRODUCT AND CUSTOMERS SATISFACTION WITHOUT ANY FURTHER NOTICE.
 EXPLICIT +/- 2CM TOLERANCE OF ALL AELEMENTS SIZES.

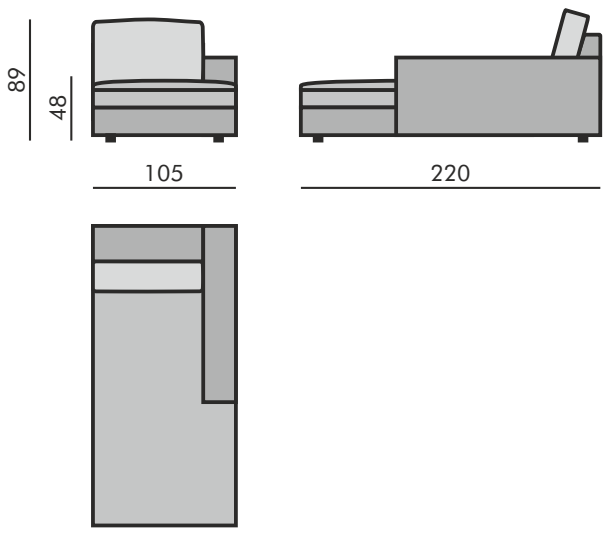
OTT*



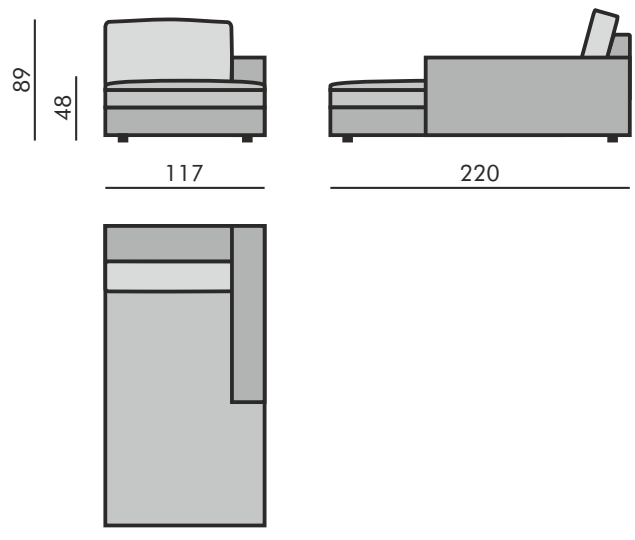
LCH105*



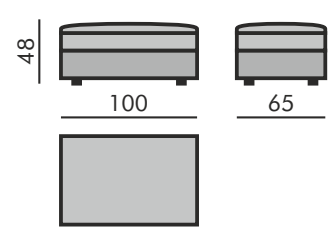
DIVAN82.5*



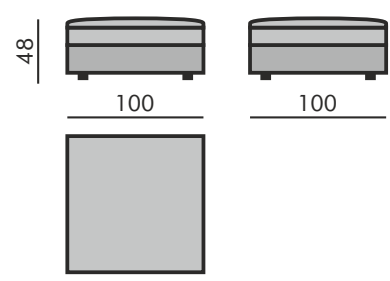
DIVAN95*



HO1



HO2

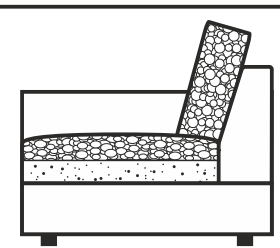


* CAN CHOOSE LEFT OR RIGHT SIDE OF THE ARMREST

- A. SEAT FILLING
- B. BACK FILLING
- C. FRAME SPRINGS/BELTS
- D. FRAME MATERIAL
- E. BACK MATERIAL
- F. UPHOLSTERY
- G. LEGS

- A. POLYURETHANE FOAM, SILICONE BALLS LUX MIXED WITHFOAM STICKS
- B. SILICONE BALLS LUX MIXED WITH FOAM STICKS
- C. SPRINGS
- D. SOLID BEECH WOOD
- E. WOOD BASED ELEMENTS (CHIPBOARD, FIBREBOARD) OF FRAME
- F. FABRIC AND LEATHER

- G. PLASTIC LEGS
- H: 4CM



ROVER

