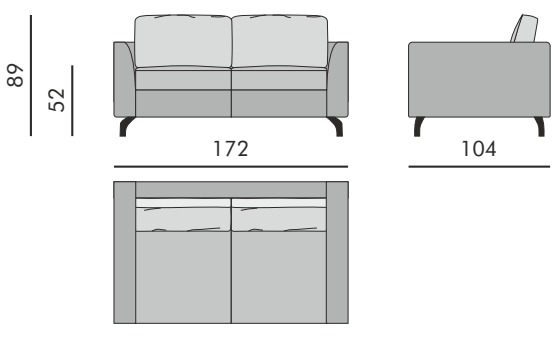


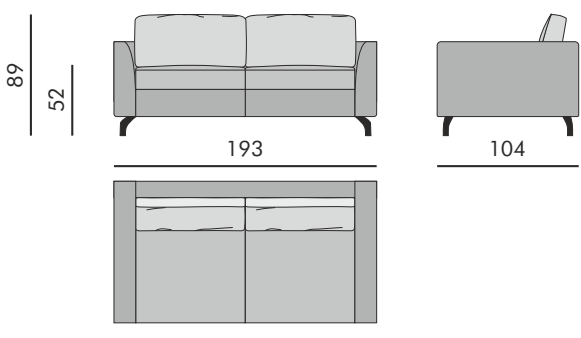
MODALTO RESERVES THE RIGHT TO CHANGE CONSTRUCTION OF PRODUCTS AND COMPONENTS USED DUE TO IMPROVING DURABILITY OF PRODUCT AND CUSTOMERS SATISFACTION WITHOUT ANY FURTHER NOTICE.
 EXPLICIT +/- 2CM TOLERANCE OF ALL ELEMENTS SIZES.



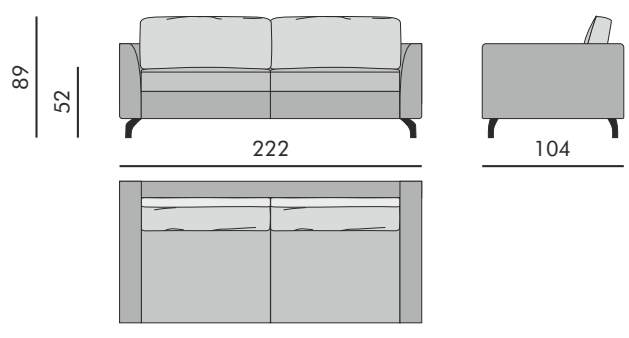
2



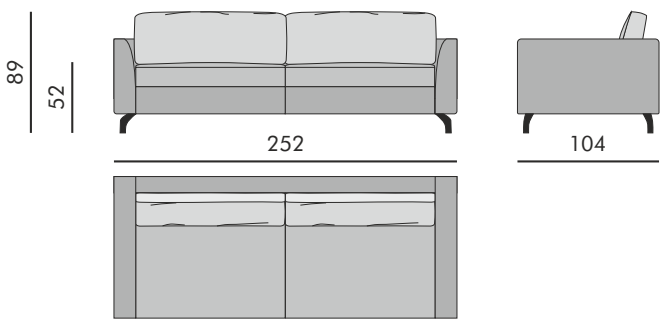
2.5



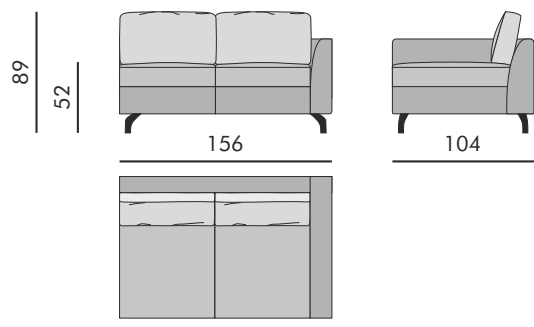
3



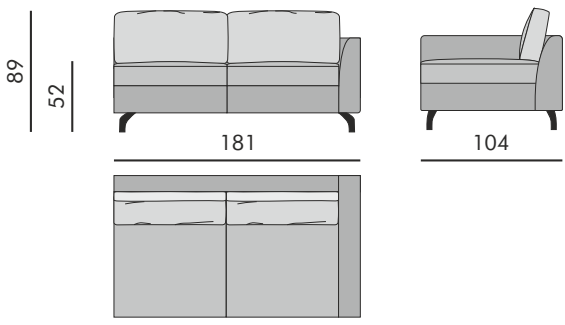
3.5



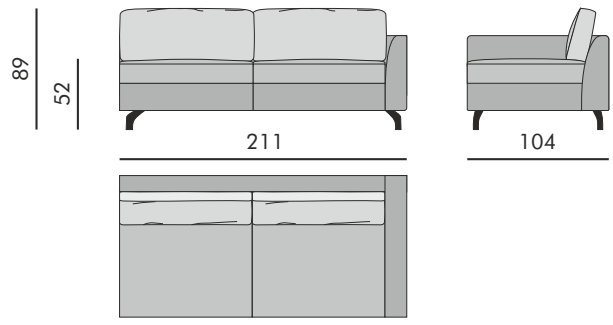
2A*



2.5A*



3A*



VINCI XL



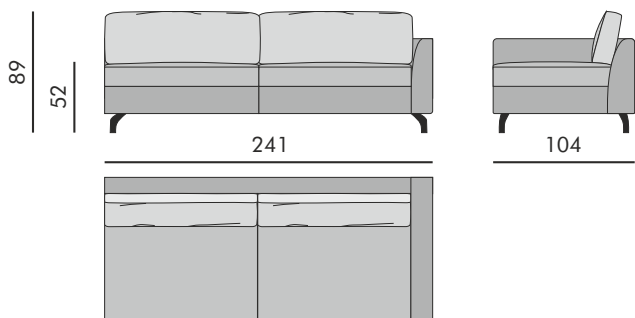
* CAN CHOOSE LEFT OR RIGHT SIDE OF THE ARMREST
 † CAN BE ORDERED WITH SLEEP FUNCTION

- A. SEAT FILLING
- B. BACK FILLING
- C. FRAME SPRINGS/BELTS
- D. FRAME MATERIAL
- E. BACK MATERIAL
- F. UPHOLSTERY
- G. LEGS
- A. POLYURETHANE FOAM T3030,
- B. SILICONE BALLS LUX MIXED WITH FOAM STICKS
- B. SILICONE BALLS LUX MIXED WITH FOAM STICKS
- C. SPRINGS
- D. SOLID BEECH WOOD
- E. WOOD BASED ELEMENTS (CHIPBOARD, FIBREBOARD)
- OF FRAME
- F. FABRIC AND/OR LEATHER
- G. METAL LEGS
- H: 15CM

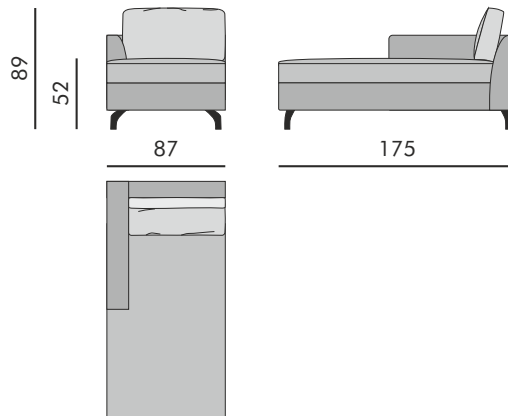


MODALTO RESERVES THE RIGHT TO CHANGE CONSTRUCTION OF PRODUCTS AND COMPONENTS USED DUE TO IMPROVING DURABILITY OF PRODUCT AND CUSTOMERS SATIFACTION WITHOUT ANY FURTHER NOTICE.
 EXPLICIT +/- 2CM TOLERANCE OF ALL AELEMENTS SIZES.

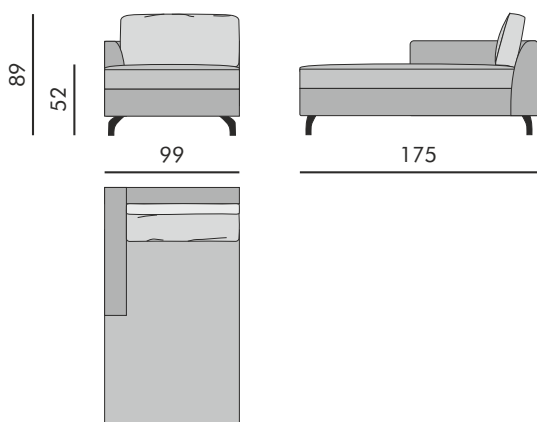
3.5A*



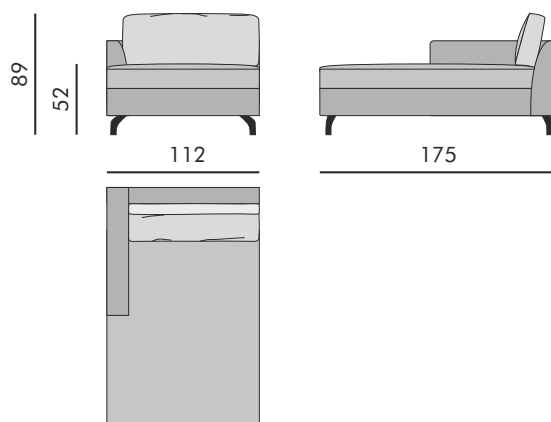
LCH70*



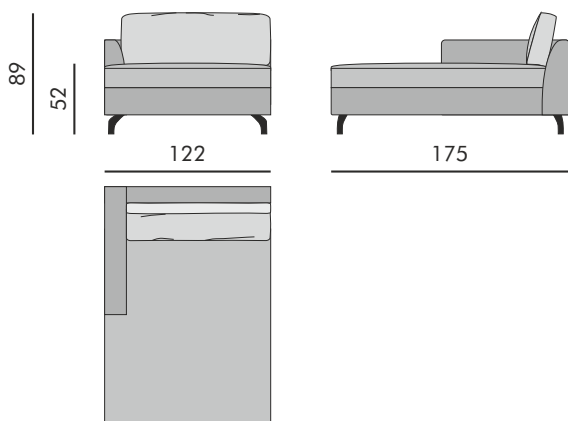
LCH82.5*



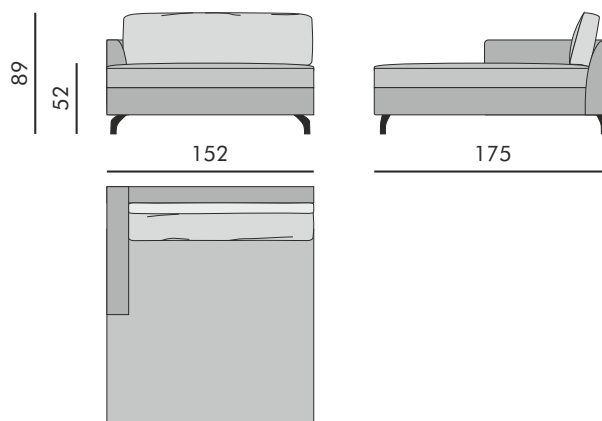
LCH95*



LCH105*



LCH135*

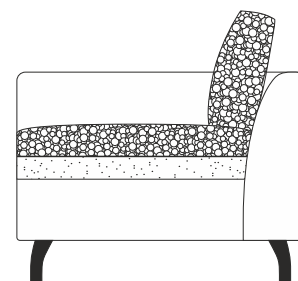


VINCI XL



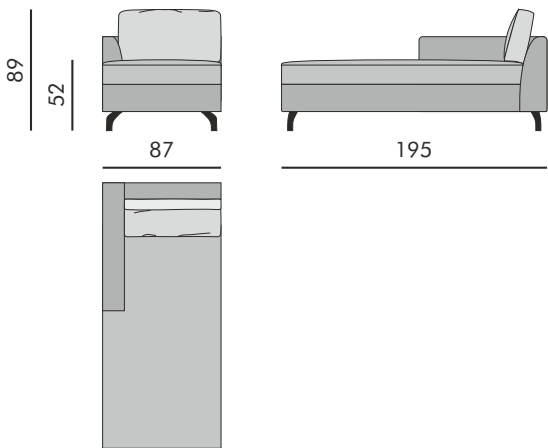
* CAN CHOOSE LEFT OR RIGHT SIDE OF THE ARMREST
 † CAN BE ORDERED WITH SLEEP FUNCTION

- | | |
|------------------------|--|
| A. SEAT FILLING | A. POLYURETHANE FOAM T3030, |
| B. BACK FILLING | SILICONE BALLS LUX MIXED WITH FOAM STICKS |
| C. FRAME SPRINGS/BELTS | B. SILICONE BALLS LUX MIXED WITH FOAM STICKS |
| D. FRAME MATERIAL | C. SPRINGS |
| E. BACK MATERIAL | D. SOLID BEECH WOOD |
| F. UPHOLSTERY | E. WOOD BASED ELEMENTS (CHIPBOARD, FIBREBOARD) |
| G. LEGS | OF FRAME |
| | F. FABRIC AND/OR LEATHER |
| | G. METAL LEGS |
| | H: 15CM |

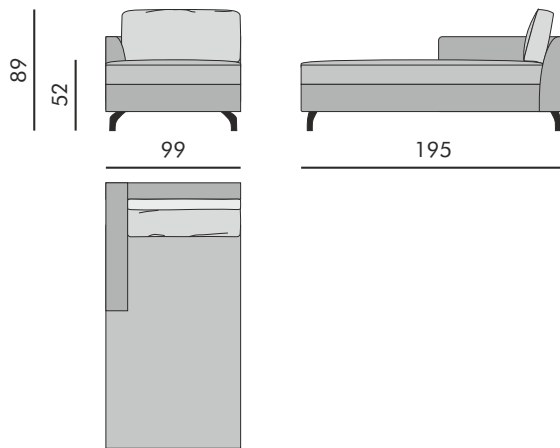


MODALTO RESERVES THE RIGHT TO CHANGE CONSTRUCTION OF PRODUCTS AND COMPONENTS USED DUE TO IMPROVING DURABILITY OF PRODUCT AND CUSTOMERS SATISFACTION WITHOUT ANY FURTHER NOTICE.
 EXPLICIT +/- 2CM TOLERANCE OF ALL ELEMENTS SIZES.

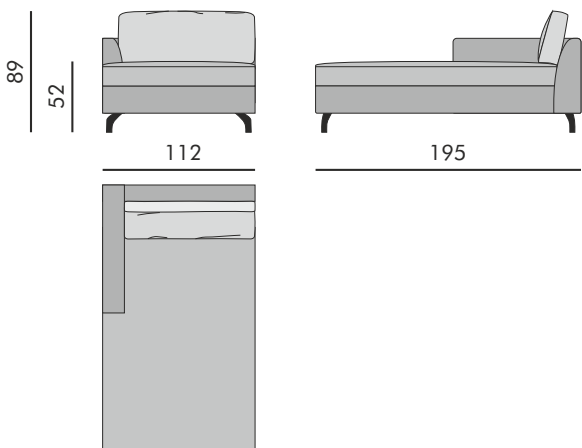
LCH70*



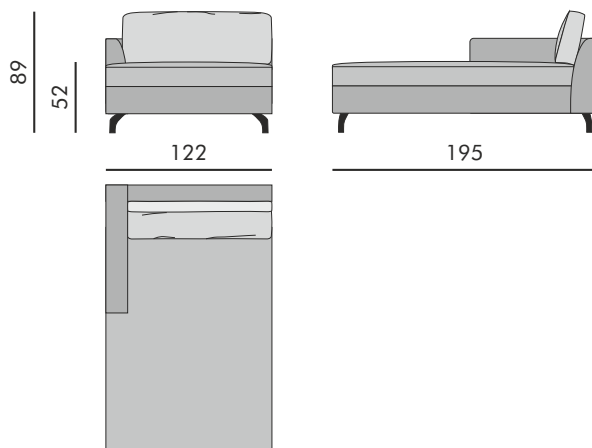
LCH82.5*



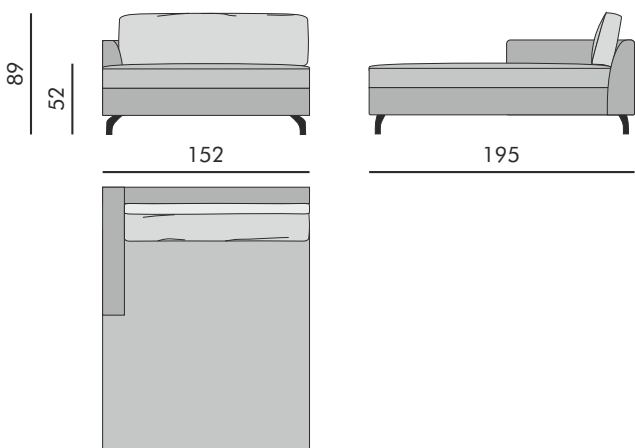
LCH95*



LCH105*



LCH135*



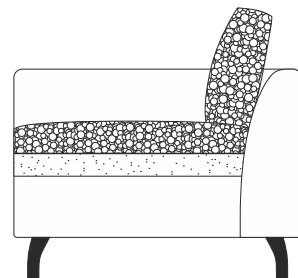
VINCI XL



* CAN CHOOSE LEFT OR RIGHT SIDE OF THE ARMREST
 † CAN BE ORDERED WITH SLEEP FUNCTION

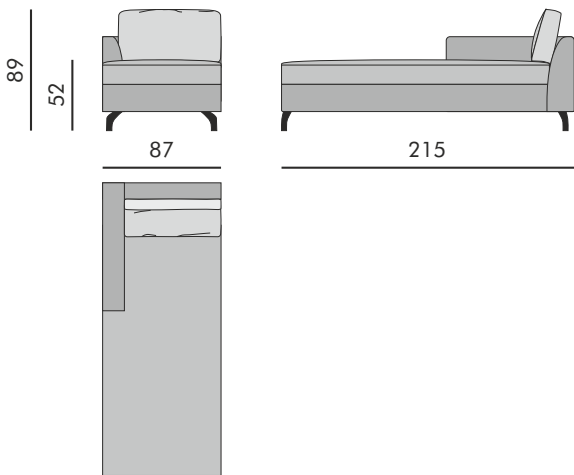
- A. SEAT FILLING
- B. BACK FILLING
- C. FRAME SPRINGS/BELTS
- D. FRAME MATERIAL
- E. BACK MATERIAL
- F. UPHOLSTERY
- G. LEGS

- A. POLYURETHANE FOAM T3030, SILICONE BALLS LUX MIXED WITH FOAM STICKS
- B. SILICONE BALLS LUX MIXED WITH FOAM STICKS
- C. SPRINGS
- D. SOLID BEECH WOOD
- E. WOOD BASED ELEMENTS (CHIPBOARD, FIBREBOARD) OF FRAME
- F. FABRIC AND/OR LEATHER
- G. METAL LEGS
- H: 15CM

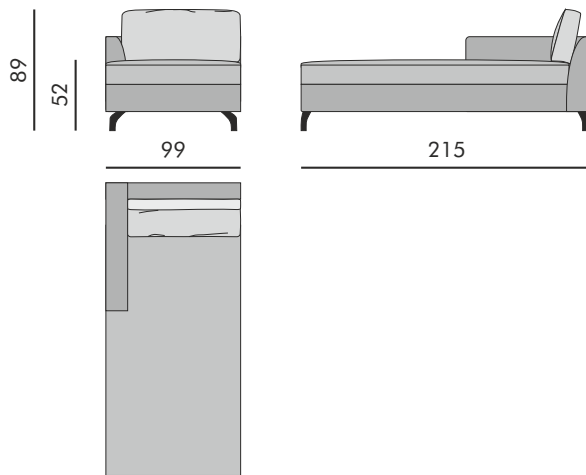


MODALTO RESERVES THE RIGHT TO CHANGE CONSTRUCTION OF PRODUCTS AND COMPONENTS USED DUE TO IMPROVING DURABILITY OF PRODUCT AND CUSTOMERS SATIFACTION WITHOUT ANY FURTHER NOTICE.
 EXPLICIT +/- 2CM TOLERANCE OF ALL AELEMENTS SIZES.

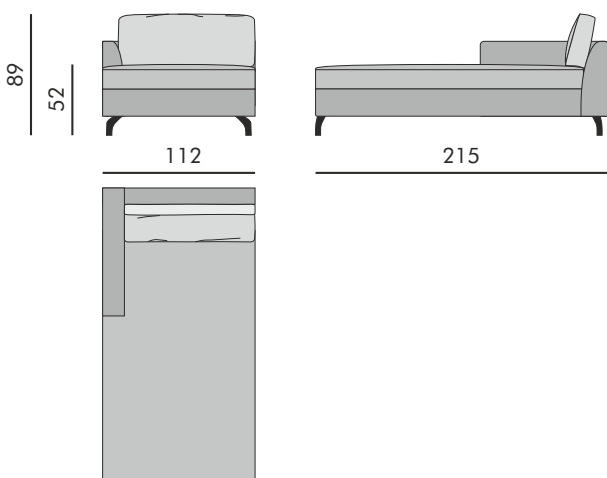
LCH70*



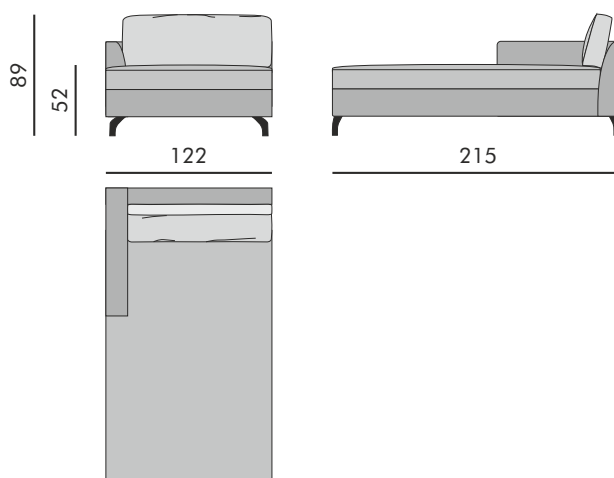
LCH82.5*



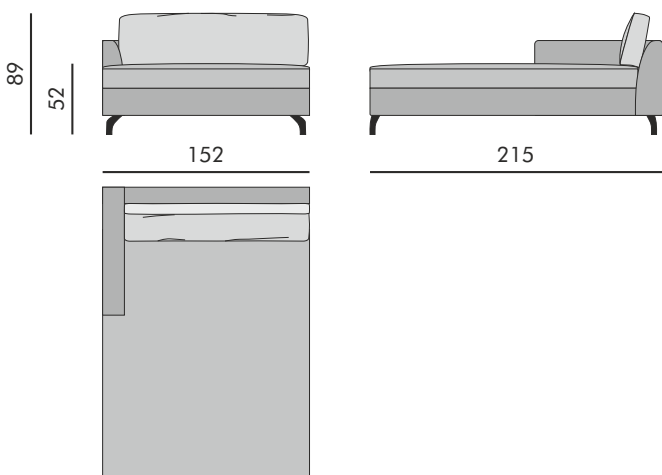
LCH95*



LCH105*



LCH135*



VINCI XL



* CAN CHOOSE LEFT OR RIGHT SIDE OF THE ARMREST
 † CAN BE ORDERED WITH SLEEP FUNCTION

- A. SEAT FILLING
- B. BACK FILLING
- C. FRAME SPRINGS/BELTS
- D. FRAME MATERIAL
- E. BACK MATERIAL
- F. UPHOLSTERY
- G. LEGS

- A. POLYURETHANE FOAM T3030, SILICONE BALLS LUX MIXED WITH FOAM STICKS
- B. SILICONE BALLS LUX MIXED WITH FOAM STICKS
- C. SPRINGS
- D. SOLID BEECH WOOD
- E. WOOD BASED ELEMENTS (CHIPBOARD, FIBREBOARD) OF FRAME
- F. FABRIC AND/OR LEATHER
- G. METAL LEGS
- H: 15CM

